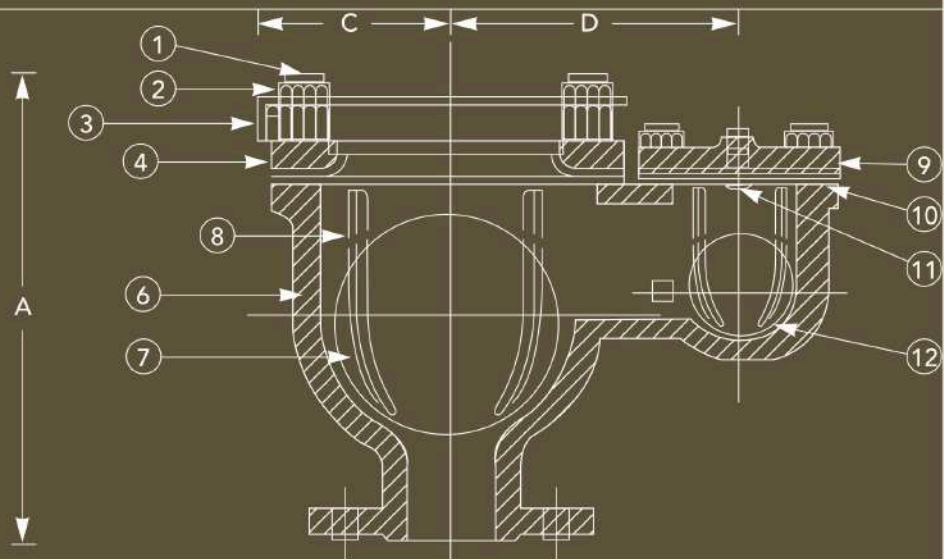
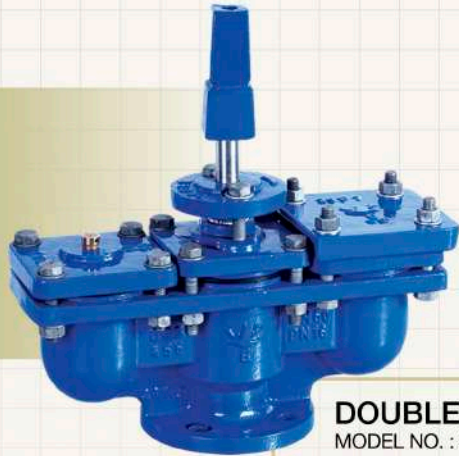


AIR VALVES



AIR VALVES

DOUBLE ORIFICE STANDARD & SINGLE SMALL ORIFICE



DOUBLE ORIFICE STANDARD
MODEL NO. : 455



SINGLE SMALL ORIFICE
MODEL NO. : 154 W/O GATE VALVE
MODEL NO. : 155 C/W GATE VALVE



LYE MANUFACTURING SDN. BHD. 02836-10
Manufacturer of Valves, Hydrants, Joints, Fittings & Manhole Covers.

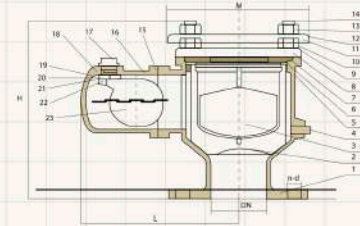


AIR VALVES

HIGH PERFORMANCE "AEROKINETIC" AIR VALVE



HIGH PERFORMANCE
"AEROKINETIC" AIR VALVE
MODEL No. : LYE 358



OVERALL DIMENSIONS FOR LYE "AEROKINETIC" AIR VALVE
(MODEL: LYE 358) DN50 TO DN150

Specification (DN)	L (mm)	M (mm)	H (mm)
50	228	206	321
65	228	206	321
80	228	206	321
100	239	280	410
150	239	280	410

A High Performance Air Valve that meets all application and installation parameters regardless of piping material.

The "Aerokinetic" Air Valve is ideal for the release of high volumes of air in piping systems and has minimum moving parts thus ensuring long-term reliability.

MAIN FEATURES

- High discharge and inflow capacities throughout the full pressure range.
- All valves coated with fusion bonded epoxy (FBE).
- Unique design prevents premature seating of float.
- Working pressure: 10/16 bar.
- Shell test pressure: 15/24 bar.
- Seat test pressure: 11/17.6 bar.
- Working temperature: 0.6°C ~ 52°C.

No.	Component	Material	Standard Ref.
1	Main Body	Ductile Iron	BS EN 1563 500/7
2	Float Guides	ABS	ISO 2580
3	Main Float	ABS	ISO 2580
4	Drain Plug	Stainless Steel	BS 970 304S15
5	Supporting Plate	ABS	ISO 2580
6	Seal Ring	EPDM	MS 671:99 / BS EN 681
7	Seat Ring	ABS	ISO 2580
8	Cover	Ductile Iron	BS EN 1563 500/7
9	Washer	Galvanized Steel	BS 3692
10	Nut	Galvanized Steel	BS 3692
11	Cowl	Ductile Iron	BS EN 1563 500/7
12	Washer	Galvanized Steel	BS 4190
13	Nut	Galvanized Steel	BS 4190
14	Bolt	Galvanized Steel	BS 4190
15	O-Ring	EPDM	MS 672:99 / BS EN 681
16	Side Body	Ductile Iron	BS EN 1563 500/7
17	Orifice Cover	High Tensile Nylon	-
18	Gasket	EPDM	MS 672:99 / BS EN 681
19	Orifice Bracket	High Tensile Nylon	-
20	Screw	Stainless Steel	BS 970 304S15
21	Sealing Face	EPDM	MS 672:99 / BS EN 681
22	Hinge Pin	Stainless Steel	BS 970 304S15
23	Side Float	ABS	ISO 2580

Please Note: Technical data provided is indicative only and may be subject to change without notice



LYE MANUFACTURING SDN. BHD. 02836-10
Manufacturer of Valves, Hydrants, Joints, Fittings & Manhole Covers.

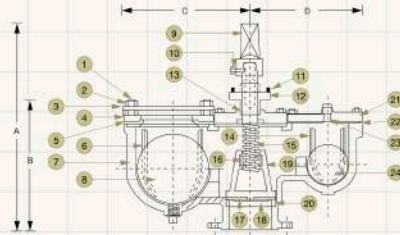


AIR VALVES

DOUBLE ORIFICE STANDARD AIR VALVE



DOUBLE ORIFICE STANDARD
Model No. : 455



Size	Maximum Dimension				
	A	B	C	D	E'
50	415	240	245	245	200
80	425	245	245	245	200
100	480	325	285	245	245
150	515	415	370	286	250
200	615	475	475	315	310

B' - Width of air valve

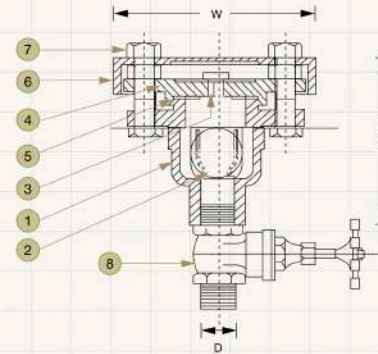
No.	Component	Material	Standard Ref.
1	Bolt & Nut	Mild Steel	BS 4190 (MS 740)
2	Nut	Mild Steel	BS 4190 (MS 740)
3	Large Orifice Cover	Ductile Iron (EN-GJS-500-7)	BS EN 1563
4	Large Orifice Plate	Ductile Iron (EN-GJS-500-7)	BS EN 1563
5	Gasket	EPDM Rubber	BS EN 681
6	Ball Guide	Ductile Iron (EN-GJS-500-7)	BS EN 1563
7	Body	Ductile Iron (EN-GJS-500-7)	BS EN 1563
8	Large Orifice Float (Ball)	ABS Plastic	ISO 2580
9	Spindle Cap	Ductile Iron (EN-GJS-500-7)	BS EN 1563
10	Cap Set Screw	Stainless Steel	BS 970 304S15
11	Gland Bolt	Mild Steel	BS 4190 (MS 740)
12	Gland	Ductile Iron (EN-GJS-500-7)	BS EN 1563
13	O'Ring	EPDM Rubber	BS EN 681
14	Ball Guide	Ductile Iron (EN-GJS-500-7)	BS EN 1563
15	Spindle	Stainless Steel	BS EN 10088-3
16	Spindle Nut	Gunmetal (CUSN5ZN5PB5-C)	BS EN 1982
17	Seal	EPDM Rubber	BS EN 681
18	Seal Nut	Stainless Steel	BS 970 304S15
19	Valve Stopper	Ductile Iron (EN-GJS-500-7)	BS EN 1563
20	Valve Seat Ring	Ductile Iron (EN-GJS-500-7)	BS EN 1563
21	Small Orifice Plate	Ductile Iron (EN-GJS-500-7)	BS EN 1563
22	Gasket	EPDM Rubber	BS EN 681
23	Air Release Nipple	Brass (CZ116)	BS EN 12163
24	Small Orifice Float Ball	ABS Plastic	ISO 2580

AIR VALVES

SINGLE SMALL ORIFICE



SINGLE SMALL ORIFICE
LYE Model No. 154 w/o gate valve
LYE Model No. 155 c/w gate valve



Size	Maximum Dimension			
	A	B'	W	D
10	215	105	155	10
12	215	105	155	12
20	215	105	155	20
25	215	105	155	25

B' - Width of air valve

No.	Component	Material	Standard Ref.
1	Body	Ductile Iron (EN-GJS-500-7)	BS EN 1563
2	Float (Ball)	ABS Plastic	ISO 2580
3	Air Release Nut	Brass (CZ116)	BS EN 12163
4	Plate	Ductile Iron (EN-GJS-500-7)	BS EN 1563
5	Gasket	EPDM Rubber	BS EN 681
6	Cover	Ductile Iron (EN-GJS-500-7)	BS EN 1563
7	Bolt and Nuts	Mild Steel	BS 4190 (MS 740)
8	Gate Valve	Brass	BS 5154

Please Note: Technical data provided is indicative only and may be subject to change without notice



LYE MANUFACTURING SDN. BHD. 02836-10
Manufacturer of Valves, Hydrants, Joints, Fittings & Manhole Covers.

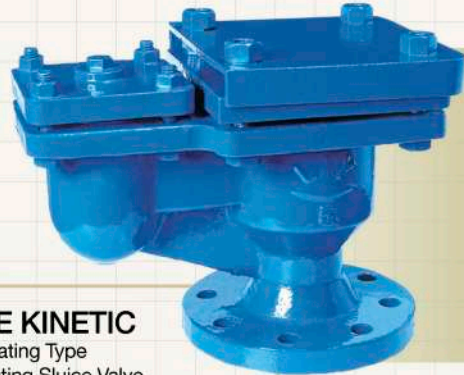


LYE MANUFACTURING SDN. BHD. 02836-10
Manufacturer of Valves, Hydrants, Joints, Fittings & Manhole Covers.



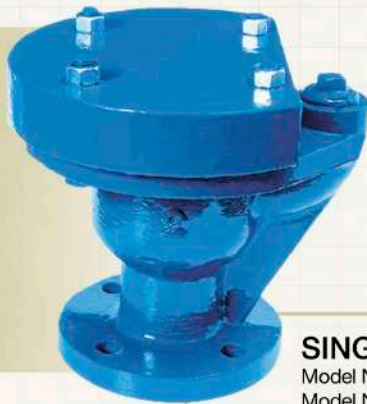
AIR VALVES

DOUBLE ORIFICE KINETIC & SINGLE LARGE ORIFICE



DOUBLE ORIFICE KINETIC

Model No. : 354 - Non-Isolating Type
Model No. : 355 - c/w Isolating Sluice Valve

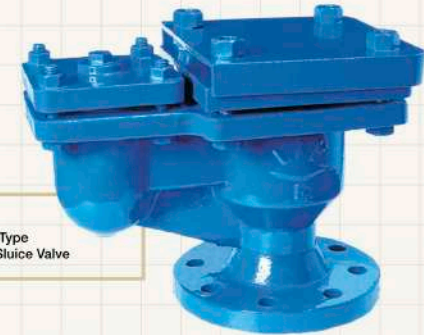


SINGLE LARGE ORIFICE

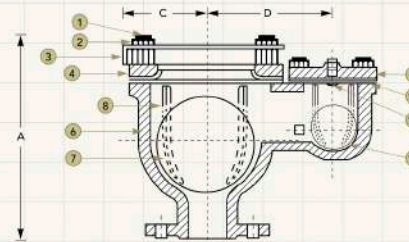
Model No. : 254 - Non-Isolating Type
Model No. : 255 - c/w Isolating Sluice Valve

AIR VALVES

DOUBLE ORIFICE KINETIC



DOUBLE ORIFICE KINETIC
Model No. : 354 - Non-Isolating Type
Model No. : 355 - c/w Isolating Sluice Valve



Size mm	Maximum Dimension			
	A mm	C mm	D mm	B* mm
50	275	90	220	170
80	275	110	235	190
100	310	110	260	230
150	400	135	295	280
200	540	165	375	450

B* - Width of air valve

DOUBLE ORIFICE KINETIC (ORIFICE BERKEMBAR KINETIK)
(SMALL AND LARGE ORIFICE DOUBLE AIR VALVE)

No.	Component	Material	Standard Ref.
1	Bolt	Mild Steel	BS 4190 (MS 740)
2	Nuts	Mild Steel	BS 4190 (MS 740)
3	Large Orifice Cover	Ductile Iron (EN-GJS-500-7)	BS EN 1563
4	Large Orifice Plate	Ductile Iron (EN-GJS-500-7)	BS EN 1563
5	Gasket	EPDM Rubber	BS EN 681
6	Body	Ductile Iron (EN-GJS-500-7)	BS EN 1563
7	Large Orifice Float (Ball)	ABS Plastic	ISO 2580
8	Ball Guide	Ductile Iron (EN-GJS-500-7)	BS EN 1563
9	Small Orifice Plate	Ductile Iron (EN-GJS-500-7)	BS EN 1563
10	Gasket	EPDM Rubber	BS EN 681
11	Air Release Nipple	Brass (CZ116)	BS EN 12163
12	Small Orifice Float (Ball)	ABS Plastic	ISO 2580



LYE MANUFACTURING SDN. BHD. 02836-10
Manufacturer of Valves, Hydrants, Joints, Fittings & Manhole Covers.

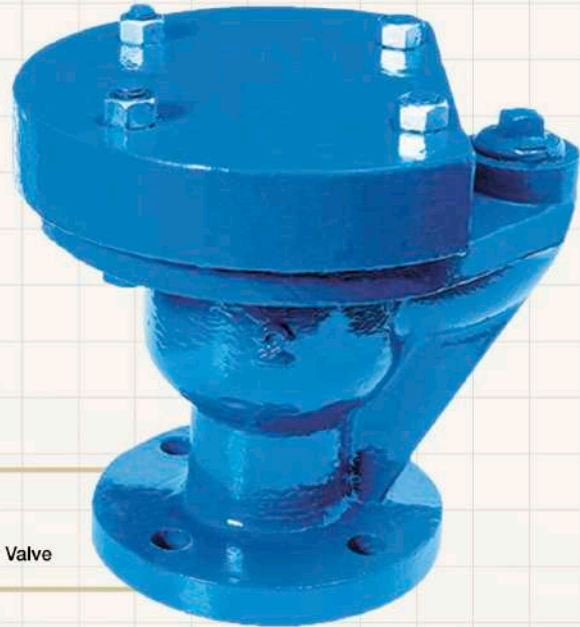
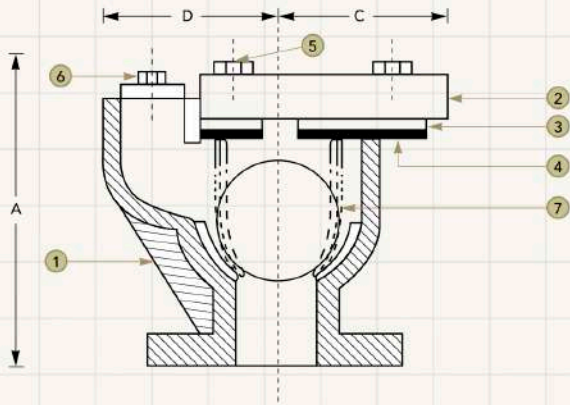


LYE MANUFACTURING SDN. BHD. 02836-10
Manufacturer of Valves, Hydrants, Joints, Fittings & Manhole Covers.



AIR VALVES

SINGLE LARGE ORIFICE



SINGLE LARGE ORIFICE
 Model No. : 254 - Non-Isolating Type
 Model No. : 255 - c/w Isolating Sluice Valve

Size	Maximum Dimension			
	A	C	D	B*
mm	mm	mm	mm	mm
50	275	165	165	215
80	275	165	165	245
100	305	185	185	270
150	400	265	265	305
200	530	325	325	400

B* - Width of air valve

SINGLE LARGE ORIFICE – TYPE B (ORIFICE BESAR TUNGGAL)

No.	Component	Material	Standard Ref.
1	Body	Ductile Iron (EN-GJS-500-7)	BS EN 1563
2	Cover	Ductile Iron (EN-GJS-500-7)	BS EN 1563
3	Plate	Ductile Iron (EN-GJS-500-7)	BS EN 1563
4	Gasket	EPDM Rubber	BS EN 681
5	Bolt and Nuts	Mild Steel	BS 4190 (MS 740)
6	Plug	Stainless Steel (304S31)	BS EN 10088-3
7	Float (Ball)	ABS Plastic	ISO 2580

Please Note: Technical data provided is indicative only and may be subject to change without notice



LYE MANUFACTURING SDN. BHD. (32836-H)
 Manufacturer of Valves, Hydrants, Joints, Fittings & Manhole Covers.

