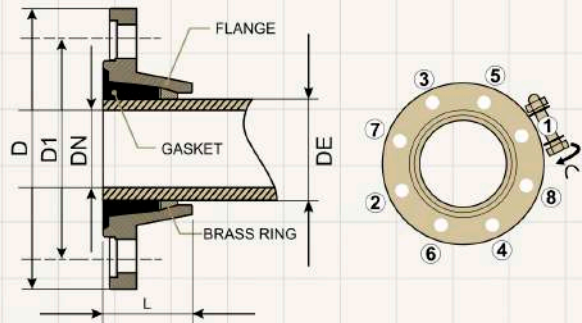
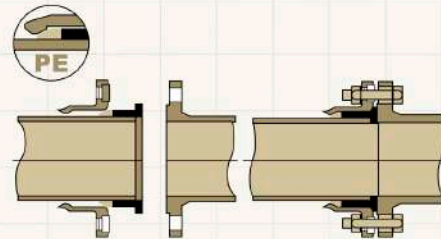
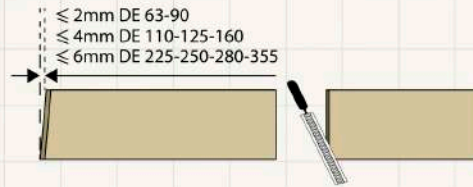


# PE QUICK FLANGE ADAPTOR



**FEATURES:**

- LYE Ductile Iron PE Quick Flange Adaptor consists of a ductile iron flange with EPDM gasket and restraining brass ring.
- LYE Ductile Iron PE Quick Flange Adaptor is easy to install and once coupled to a mating flange, the brass restraint ring will grip tightly to the PE pipe.
- Thus preventing pipe dislodge.



DN	DE	D		L	D1		n-d	
		PN 10	PN 16		PN 10	PN 16	PN 10	PN 16
DN 60/65	63	185	185	53	135/145	135/145	4*19	4*19
DN 80	90	200	200	61	160	160	8*19	8*19
DN 100	110	220	220	67	180	180	8*19	8*19
DN 125	125	250	250	70	210	210	8*19	8*19
DN 150	180	285	285	79	240	240	8*23	8*23
DN 200	200	340	340	91	295	295	8*23	12*23
DN 200	225	340	340	91	295	295	8*23	12*23
DN 250	250	400	400	95	350	355	12*23	12*28
DN 250	280	400	400	95	350	355	12*23	12*28
DN 300	315	455	455	105	400	410	12*23	12*28
DN 300	355	455	455	105	400	410	12*23	12*28

Please Note: Technical data provided is indicative only and may be subject to change without notice



LYE MANUFACTURING SDN. BHD. (32836-H)  
 Manufacturer of Valves, Hydrants, Joints, Fittings & Manhole Covers.

