

POLY RESTRAINT JOINT



**LYE POLY RESTRAINT
COUPLING**
MODEL NO. : LYE 785



**LYE POLY RESTRAINT
FLANGE ADAPTOR**
MODEL NO. : LYE 786

The LYE Poly Restraint Couplings and Flange Adaptors, designed specifically for use on Polyethylene pipes, is a self-anchoring unit mechanically fitted to pipe ends. Applicable in all environments, these LYE Poly Restraint Joints is another product to enhance piping systems.

FEATURES & BENEFITS

Full range available DN 63 – DN 315

- Couplings and flange adaptors are available.
- Full pressure rating. (up to 16 Bars)

Easy to fit

- No special tools required for installation.
- All weather installation, even under water.

Outstanding protection from corrosion

- The LYE Poly Restraint Couplings and Flange Adaptors are coated in Fusion Bonded Epoxy (FBE) which makes it well equipped to withstand any storage, site and corrosion damage.

Please Note: Technical data provided is indicative only and may be subject to change without notice

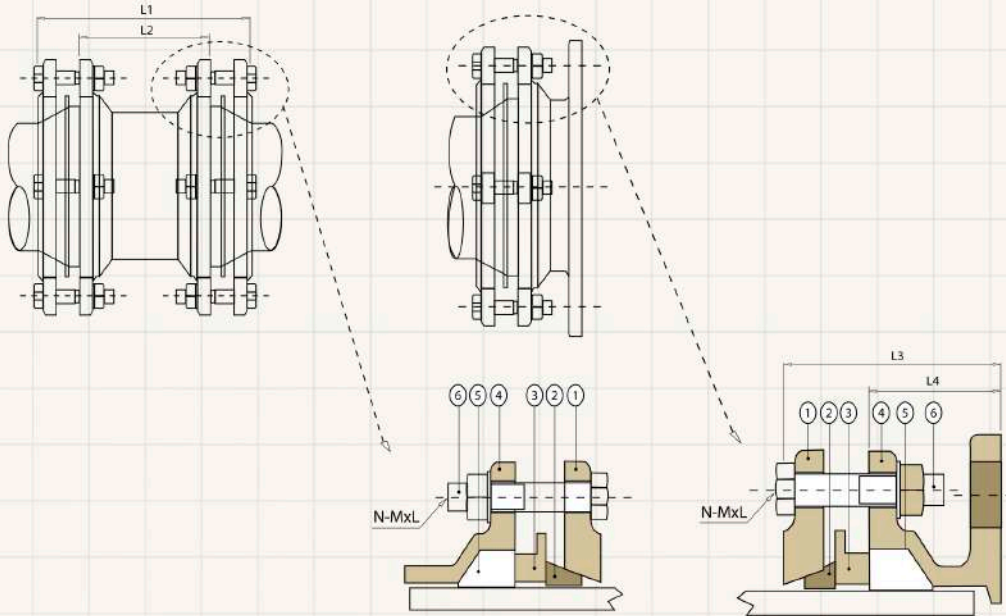


LYE MANUFACTURING SDN. BHD. (32836-H)
Manufacturer of Valves, Hydrants, Joints, Fittings & Manhole Covers.



JOINTS & SADDLES

POLY RESTRAINT JOINT



MATERIAL FOR MAIN PARTS

No.	Component	Material	Grade
1	End Ring	Ductile Iron	500/7
2	Grip Ring	Stainless Steel/Brass	304S31
3	Intermediate Ring	Ductile Iron	500/7
4	Body	Ductile Iron	500/7
5	Gasket	Rubber	EPDM
6	Bolts & Nuts	Galvanized Steel	A3

OVERALL DIMENSIONS FOR LYE POLY RESTRAINT COUPLINGS & FLANGE ADAPTORS

LYE Poly Restraint Couplings			LYE Poly Restraint Flange Adaptors			Flange Information				
DN	L1 (mm)	L2 (mm)	DN	L3 (mm)	L4 (mm)	DN	PN10/16	BS10/D	BS10/E	ANSI/150
63	232	130	63	116	65	80	*			*
90	242	140	90	121	70	80	*			*
110	250	146	110	125	73	100	*	*	*	*
125	254	150	125	162	110	100	*	*	*	*
160	294	174	160	150	90	150	*			*
180	300	180	180	185	125	150	*			*
225	321	200	225	185	125	200	*	*	*	*
250	338	200	250	199	130	250	*		*	*
280	338	200	280	209	140	250	*		*	*
315	348	210	315	219	150	300	*			*



LYE MANUFACTURING SDN. BHD. (32836-H)
 Manufacturer of Valves, Hydrants, Joints, Fittings & Manhole Covers.

