



AIR VALVES

HIGH-PERFORMANCE
COMBINATION

“AEROKINETIC” DOUBLE ORIFICE KINETIC AIR VALVE

DESIGNED FOR AIR RELEASE, DISCHARGE & VACUUM



Model : 358 & 358A

In Brief

- ▶ **Small Orifice** : Automatically Release Small Pockets of Accumulated Air from Pipeline Operating Under Pressure
- ▶ **Main Orifice** : For Large Volume of Air Discharging during Pipeline Filling while Pressurizing & Air Admittance during Pipeline Draining while Depressurizing for Vacuum Prevention
- ▶ **Working Pressure** : 10/16 Bar
- ▶ **Shell Test Pressure** : 15/24 Bar
- ▶ **Seat Test Pressure** : 11/17.6 Bar
- ▶ **Minimum Operation Pressure** : 0.5 Bar
- ▶ **Coating** : Fusion Bonded Epoxy
- ▶ **Sealing** : EPDM

Standards

- ▶ **Test** : EN 12266-1
- ▶ **Flange** : EN 1092-2

Features

- ▶ **Float Material** : ABS or Stainless-Steel
- ▶ **Unique Design** Prevents Premature Float Switching
- ▶ **Cylinder Shape Main Float Design** Minimises Float Movement

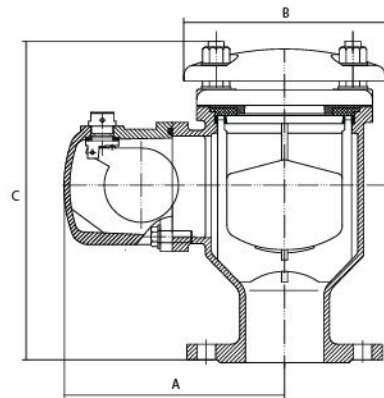
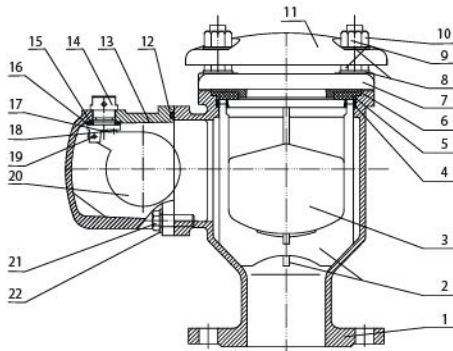


LYE MANUFACTURING SDN.BHD. (197701001852 (32836-H))
Manufacturer of Valves, Hydrants, Joints, Fittings & Manhole Covers

HIGH-PERFORMANCE COMBINATION "AEROKINETIC" DOUBLE ORIFICE KINETIC AIR VALVE

Technical Table

Parts List & Materials



| No. | Component | Material | Standard Ref. |
|-----|-----------------|-------------------------|-----------------------|
| 1 | Body | Ductile Iron | BS EN 1563 |
| 2 | Float Guide | ABS | ISO 7245 |
| 3 | *Float | ABS/Stainless Steel | ISO 7245 / EN 10088-3 |
| 4 | Support | ABS | ISO 7245 |
| 5 | Seat Ring | EPDM | BS EN 681 |
| 6 | Seat Support | ABS | ISO 7245 |
| 7 | Cover | Ductile Iron | BS EN 1563 |
| 8 | Washer | Galvanized Carbon Steel | BS4190 |
| 9 | Nut | Galvanized Carbon Steel | BS4190 |
| 10 | Hexagon Bolt | Galvanized Carbon Steel | BS4190 |
| 11 | Cowl | Ductile Iron | BS EN 1563 |
| 12 | O'Ring | EPDM | BS EN 681 |
| 13 | Side Body | Ductile Iron | BS EN 1563 |
| 14 | Cap | Nylon | ISO 1874 |
| 15 | Gasket | EPDM | BS EN 681 |
| 16 | Bracket | ABS | ISO 7245 |
| 17 | Adjusting Screw | Stainless Steel | EN ISO 15481 |
| 18 | Gasket | EPDM | BS EN 681 |
| 19 | Hinge Pin | Stainless Steel | EN ISO 1234 |
| 20 | *Side Float | ABS/Stainless Steel | ISO 7245 / EN 10088-3 |
| 21 | Hexagon Bolt | Galvanized Carbon Steel | BS4190 |
| 22 | Washer | Galvanized Carbon Steel | BS4190 |

* Option for the Float Type

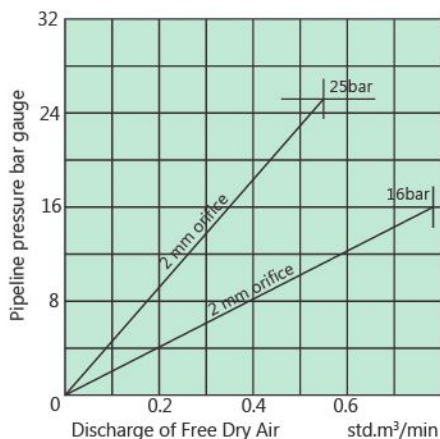
Specifications & Parameters Chart

| DN (mm) | A (mm) | B (mm) | C (mm) | Width (mm) |
|---------|--------|--------|--------|------------|
| 50 | 232 | 206 | 329 | 206 |
| 65 | 232 | 206 | 329 | 206 |
| 80 | 232 | 206 | 329 | 206 |
| 100 | 238 | 280 | 413 | 280 |
| 150 | 238 | 280 | 413 | 280 |
| 200 | 238 | 280 | 413 | 280 |

Air Flow Performance Charts

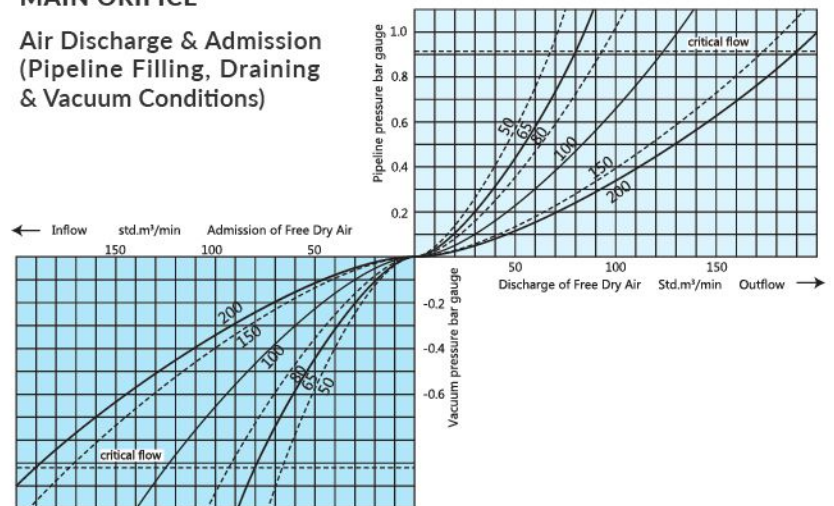
SMALL ORIFICE

Air Release (Pressurised Operation)



MAIN ORIFICE

Air Discharge & Admission (Pipeline Filling, Draining & Vacuum Conditions)



Note: Technical data provided in this brochure is indicative only and may be subject to change without prior notice.



LYE MANUFACTURING SDN.BHD. (197701001852 (32836-H))

Manufacturer of Valves, Hydrants, Joints, Fittings & Manhole Covers

Lot 1844, Jalan KPB 8, Kampung Baru Balakong, 43300 Kajang, Selangor Darul Ehsan, Malaysia.

FACTORY Tel: 603 - 8961 1623 Fax: 603 - 8961 1092 SALES Tel: 603 - 6140 3131(Hunting Line) Fax: 603 - 6140 5858

EMAIL: enquiry@lye.com.my

