



**LYE**

CHECK VALVES

# GLOBE SILENT CHECK VALVE

QUIET CLOSURE TYPE  
LIFT CHECK VALVE



## In Brief

- ▶ For Silent & Non-Slam Operation on Constant Flow to Prevent Flow Reversal & Water Hammer
- ▶ Guided Spring Loaded Disc with Drop Tight & Quiet Closure
- ▶ **Working Pressure** : 10/16 bar
- ▶ **Shell Test Pressure** : 15/24 bar
- ▶ **Seat Test Pressure** : 11/17.6 bar
- ▶ **Coating** : Fusion Bonded Epoxy
- ▶ **Sealing** : EPDM

## Standards

- ▶ **Design** : BS EB 12334 /  
BS EN 167167
- ▶ **Test** : BS EN 12266
- ▶ **Flange** : BS EN 1092-2
- ▶ **Face to Face** : BS EN 558-1

## Features

- ▶ **Range of Valve Sizes** : DN50 to DN300
- ▶ Designed for a Minimum Open Area Equal to 110% of the Pipe Size
- ▶ Can be Used in Both Horizontal & Vertical Positions
- ▶ Commonly Used in High-Rise Buildings, Plumbing System & High Head Applications

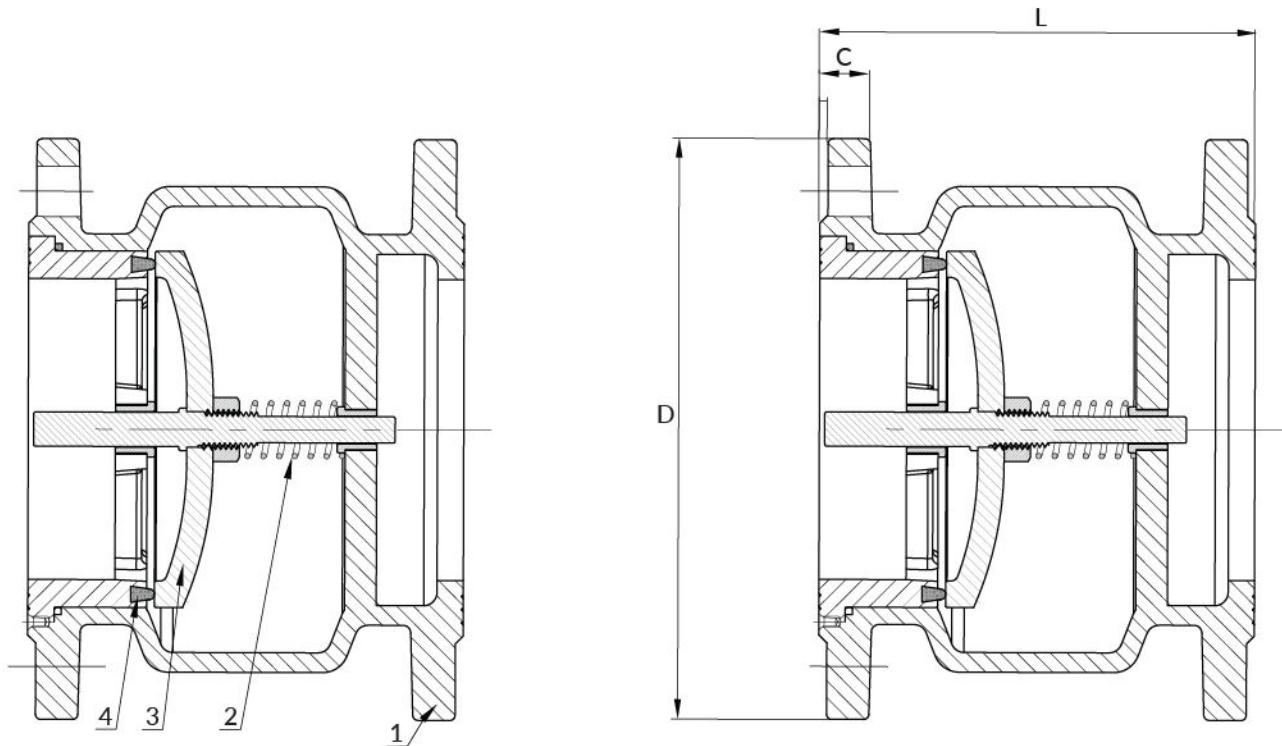


**LYE MANUFACTURING SDN.BHD.** (197701001852 (32836-H))  
Manufacturer of Valves, Hydrants, Joints, Fittings & Manhole Covers

# GLOBE SILENT CHECK VALVE

## QUIET CLOSURE TYPE LIFT CHECK VALVE

### Technical Table



### Check Valve Installation



### Parts List & Materials

No.	Component	Material	Standard Ref.
1	Body	Ductile Iron	BS EN 1563
2	Spring	Stainless Steel	BS EN 10088-3
3	Disc	Ductile Iron	BS EN 1563
4	Seat	EPDM	BS EN 681

### Specifications & Parameters Chart

DN (mm)	L (mm)	D (mm)	C (mm)	Bolt
50	120	165	19	M19x4
65	135	185	19	M19x4
80	155	200	19	M19x8
100	165	220	19	M19x8
150	210	285	19	M23x8
200	260	340	20	M23x12
250	285	400	22	M28x12
300	315	455	24.5	M28x12

Note: Technical data provided in this brochure is indicative only and may be subject to change without prior notice.