



**LYE**

FIRE HYDRANTS

# 2-WAY & 3-WAY PILLAR FIRE HYDRANTS

FOR FIRE PROTECTION SYSTEMS



**2-WAY  
PILLAR HYDRANT**



**3-WAY  
PILLAR HYDRANT**

**In Brief**

- ▶ Standard Plain-Ended Outlet Suitable for Private & Public Installations
- ▶ Pressurised Pillar Hydrant C/W Landing Valves Openings is Commonly Used in Industrial Areas
- ▶ Design for Heavy Duty and Longevity
- ▶ Working Pressure : PN 16
- ▶ Coating : Gloss Finish Paint

**Standards**

- ▶ Design & Test : SPESIFIKASI JKR 20200-0042-99
- ▶ Flange : EN 1092-2
- ▶ Threads : BSP/NST
- ▶ Landing Valve : BS 5041 Part 1

**Features**

- |   |  |
|---|--|
| <ul style="list-style-type: none"> <li>▶ Pillar Hydrant Size : DN100</li> <li>▶ Outlet : V-Shaped Thread</li> </ul> | <ul style="list-style-type: none"> <li>▶ Pillar Hydrant Size : DN150</li> <li>▶ Outlet : Round Thread &amp; V-Shaped Thread</li> </ul> |
|---|--|
- 
- ▶ Landing Valve Outlet : Female Instantaneous Coupler
  - ▶ Efficient Hydraulic Design Provides Optimun Performance & Maximum Flow
  - ▶ For Fire-fighting System Networks Outside Buildings

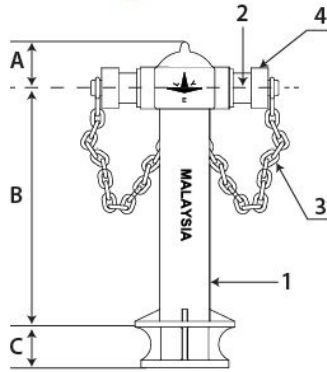


**LYE MANUFACTURING SDN.BHD.** (197701001852 (32836-H))  
 Manufacturer of Valves, Hydrants, Joints, Fittings & Manhole Covers

# 2-WAY & 3-WAY PILLAR FIRE HYDRANTS FOR FIRE PROTECTION SYSTEMS

## Technical Table

### 2-Way Pillar Hydrant



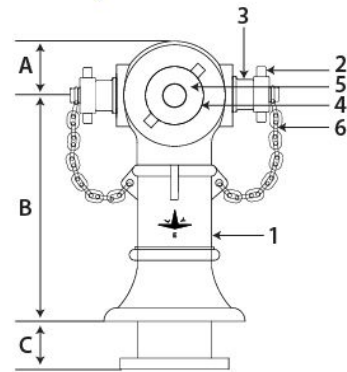
#### Product Specifications

No.	Component	Material	Standard Ref.
1	Body	Ductile Iron	BS EN 1563
2	Outlet	Gunmetal	BS EN 1216 / BS EN 1982
3	Chain	Galvanised Steel	BS EN ISO 1461
4	Cap	Ductile Iron	BS EN 1563

#### Technical Data

DN (mm)	A (mm)	B (mm)	C (mm)
100	115	610	102

### 3-Way Pillar Hydrant



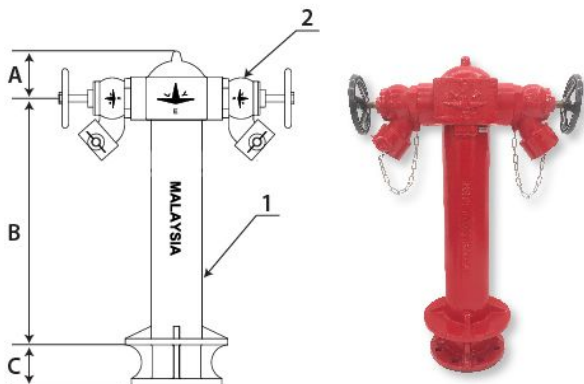
#### Product Specifications

No.	Component	Material	Standard Ref.
1	Body	Ductile Iron	BS EN 1563
2	Cap	Ductile Iron	BS EN 1563
3	V Thread Outlet	Gunmetal	BS EN 1982
4	Cap	Ductile Iron	BS EN 1563
5	Round / V Thread Outlet	Gunmetal	BS EN 1982
6	Chain	Galvanised Steel	BS EN ISO 1461

#### Technical Data

DN (mm)	A (mm)	B (mm)	C (mm)
150	135	610	130

### Pressurised Pillar Hydrant Complete With Landing Valves



#### Product Specifications

No.	Component	Material	Standard Ref.
1	Body	Ductile Iron	BS EN 1563
2	Landing Valve	Gunmetal	BS EN 1982 - 1999

#### Technical Data

DN (mm)	A (mm)	B (mm)	C (mm)
100	115	610	102

#### Landing Valves



Screwed End Inlet



Flanged End Inlet

Note: Technical data provided in this brochure is indicative only and may be subject to change without prior notice.