



RESTRAINT

POLY RESTRAINT COUPLING & FLANGE ADAPTOR SOLUTIONS FOR PE, PVC-O & *PVC-M PIPES



Poly Restraint Coupling



Poly Restraint Flange Adaptor

| Product | Poly Restraint Coupling | Poly Restraint Flange Adaptor |
|------------------|--|-------------------------------|
| In Brief | <ul style="list-style-type: none"> ▶ For Connecting PE Pipe and Other Plastic Material Pipes ▶ Maximum Temperature -10°C to 70°C ▶ Working Pressure PN 10/16 ▶ Suitable for Potable Water, Neutral Liquids and Sewage ▶ Coating: Fusion Bonded Epoxy ▶ Seal : EPDM | |
| Standards | <ul style="list-style-type: none"> ▶ Design : EN12842 ▶ Test : EN12266-1 ▶ For PE Pipe : EN 12201 / MS 1058 / AS 1159 ▶ For PVC-O Pipe : ISO 16422 ▶ *For PVCM Pipe (≥DN150) : AS / NZS 4765, S1 | |
| | | ▶ Flange : EN1092-2 |
| Features | <ul style="list-style-type: none"> ▶ Range of Joint Sizes : OD63 to OD315 ▶ End-load Resistant Mechanism ▶ Sealing Ring Enable Pipe Sealing and Gripping ▶ Angular Deflection ±3° | |



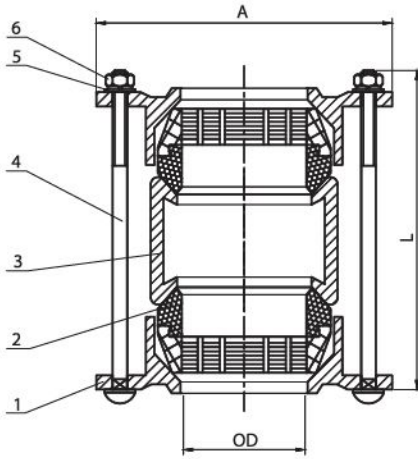
LYE MANUFACTURING SDN.BHD. (197701001852 (32836-H))
 Manufacturer of Valves, Hydrants, Joints, Fittings & Manhole Covers

POLY RESTRAINT COUPLING & FLANGE ADAPTOR

SOLUTIONS FOR PE, PVC-O & *PVC-M PIPES

Technical Table

Poly Restraint Coupling



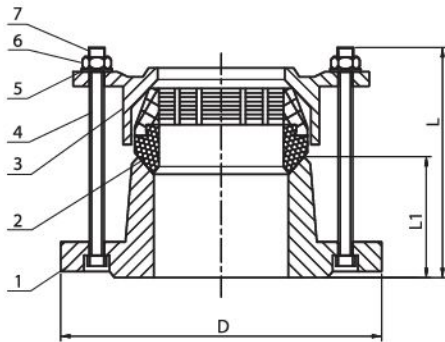
Assembly Chart

| No. | Component | Material | Standard Ref. |
|-----|---------------------|-----------------------|-------------------|
| 1 | Gland | Ductile Iron | BS EN1563 |
| 2 | Sealing Ring + Grip | EPDM + Brass | BS EN681 + EN1982 |
| 3 | Center Sleeve | Ductile Iron | BS EN1563 |
| 4 | Bolt | Hot Dipped Galvanised | GB30 |
| 5 | Washer | Hot Dipped Galvanised | GB30 |
| 6 | Nut | Hot Dipped Galvanised | GB30 |

Specifications & Parameters Chart

| DN (mm) | OD (mm) | A (mm) | L (mm) | Bolts |
|---------|---------|--------|--------|-------|
| 50 | 63 | 165 | 180 | M12x4 |
| 80 | 90 | 193 | 180 | M12x4 |
| 100 | 110 | 214 | 180 | M12x4 |
| 100 | 125 | 240 | 200 | M12x4 |
| 150 | 160 | 272 | 200 | M12x4 |
| 150 | 180 | 285 | 220 | M12x4 |
| 200 | 200 | 314 | 220 | M12x4 |
| 200 | 225 | 332 | 250 | M16x4 |
| 250 | 250 | 365 | 250 | M16x6 |
| 250 | 280 | 380 | 250 | M16x6 |
| 300 | 315 | 431 | 300 | M16x6 |

Poly Restraint Flange Adaptor



Assembly Chart

| No. | Component | Material | Standard Ref. |
|-----|---------------------|-----------------------|----------------|
| 1 | Body | Ductile Iron | EN1563 |
| 2 | Sealing Ring + Grip | EPDM + BRASS | EN681 + EN1982 |
| 3 | Gland | Ductile Iron | EN1563 |
| 4 | Bolt | Hot Dipped Galvanised | GB30 |
| 5 | Washer | Hot Dipped Galvanised | GB30 |
| 6 | Nut | Hot Dipped Galvanised | GB30 |
| 7 | Cap | Plastic | - |

Specifications & Parameters Chart

| DN (mm) | OD (mm) | D (mm) | L1 (mm) | L (mm) | Bolt | Flange Standard |
|---------|---------|--------|---------|--------|-------|-----------------|
| 50 | 63 | 165 | 63 | 110 | M12x4 | PN16 |
| 80 | 90 | 200 | 67 | 110 | M12x4 | PN16 |
| 100 | 110 | 220 | 67 | 110 | M12x4 | PN16 |
| 100 | 125 | 220 | 67 | 120 | M12x4 | PN16 |
| 150 | 160 | 285 | 65 | 120 | M12x4 | PN16 |
| 150 | 180 | 285 | 78 | 135 | M12x4 | PN16 |
| 200 | 200 | 340 | 77 | 135 | M12x4 | PN16 |
| 200 | 225 | 340 | 89 | 150 | M16x4 | PN16 |
| 250 | 250 | 400 | 89 | 150 | M16x6 | PN16 |
| 250 | 280 | 400 | 88 | 150 | M16x6 | PN16 |
| 300 | 315 | 455 | 90 | 150 | M16x6 | PN16 |

Note: Technical data provided in this brochure is indicative only and may be subject to change without prior notice.