



**LYE**

RESTRAINT

# POLY RESTRAINT LARGE DIAMETER COUPLING & FLANGE ADAPTOR SOLUTIONS FOR PE & PVC-O PIPES



**Poly Restraint  
Large Diameter Coupling**



**Poly Restraint  
Large Diameter Flange Adaptor**

| Product          | Poly Restraint Large Diameter Coupling   | Poly Restraint Large Diameter Flange Adaptor   |
|------------------|--|--|
| <b>In Brief</b>  | <ul style="list-style-type: none"> <li>▶ For Connecting PE Pipe and Other Plastic Pipes</li> <li>▶ Maximum Temperature -10°C to 70°C</li> <li>▶ Working Pressure PN 10/16</li> <li>▶ Suitable for Potable Water, Neutral Liquids and Sewage</li> <li>▶ Fusion Bonded Epoxy</li> <li>▶ Seal : EPDM</li> </ul> |  |
| <b>Standards</b> | <ul style="list-style-type: none"> <li>▶ Design : EN12842</li> <li>▶ Test : EN12266-1</li> </ul>   | <ul style="list-style-type: none"> <li>▶ Flange : EN1092-2</li> </ul>                              |
| <b>Features</b>  | <ul style="list-style-type: none"> <li>▶ Full PE Large Diameter Range Available OD355 - OD630</li> <li>▶ End-load Resistant Mechanism</li> <li>▶ Easy Installation on Buried PE Pipe (to Accommodate Minor Pipe Ovality &amp; Deformation)</li> <li>▶ Corrosion Resistant Construction</li> </ul>            | <ul style="list-style-type: none"> <li>▶ Angular Deflection of <math>\pm 3^\circ</math></li> </ul> |
|                  | <ul style="list-style-type: none"> <li>▶ Angular Deflection of <math>\pm 4^\circ</math></li> </ul>   |  |



**LYE MANUFACTURING SDN.BHD.** (197701001852 (32836-H))  
 Manufacturer of Valves, Hydrants, Joints, Fittings & Manhole Covers

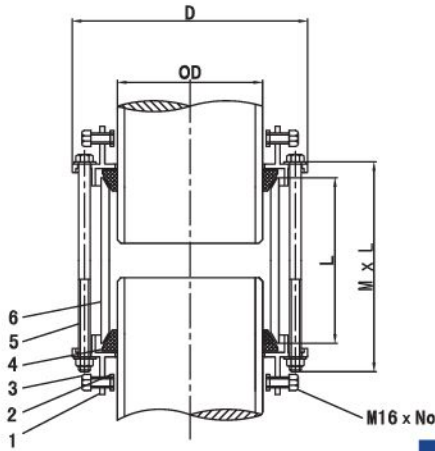


# POLY RESTRAINT LARGE DIAMETER COUPLING & FLANGE ADAPTOR

## Technical Table

### Poly Restraint Large Diameter Coupling

#### Assembly Chart



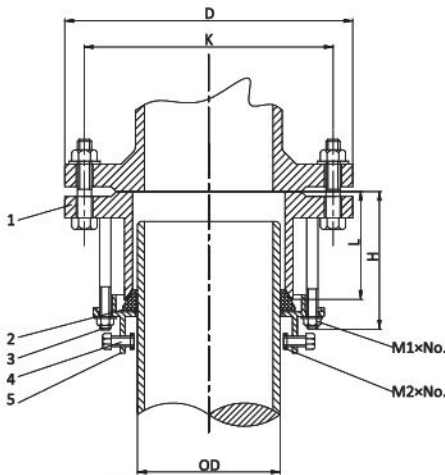
| No. | Component     | Material                | Standard Ref. |
|-----|---------------|-------------------------|---------------|
| 1   | Gland Flange  | Ductile Iron            | BS EN 1563    |
| 2   | Gripper       | Galvanized Ductile Iron | BS EN 1564    |
| 3   | Gripper Bolt  | Hot Dipped Galvanized   | GB30          |
| 4   | Gasket        | EPDM                    | BS EN 681     |
| 5   | Ring Bolt     | Hot Dipped Galvanized   | GB30          |
| 6   | Centre Sleeve | Ductile Iron            | BS EN 1563    |

#### Specifications & Parameters Chart

| DN (mm) | OD (mm) | L (mm) | D (mm) | M16xNo. (mm) | MxL (mm)   |
|---------|---------|--------|--------|--------------|------------|
| 350     | 355/345 | 160    | 510    | M16x6        | M16x260x6  |
| 400     | 400     | 160    | 556    | M16x8        | M16x260x8  |
| 450     | 450     | 160    | 600    | M16x10       | M16x260x10 |
| 500     | 500     | 160    | 658    | M16x10       | M16x260x10 |
| 600     | 630     | 160    | 790    | M16x10       | M16x360x10 |

### Poly Restraint Large Diameter Flange Adaptor

#### Assembly Chart



| No. | Component      | Material                | Standard Ref. |
|-----|----------------|-------------------------|---------------|
| 1   | Flange Adaptor | Ductile Iron            | BS EN 1563    |
| 2   | Gasket         | EPDM                    | BS EN 681     |
| 3   | Ring Bolt      | Hot Dipped Galvanized   | GB30          |
| 4   | Gripper        | Galvanized Ductile Iron | BS EN 1564    |
| 5   | Gland Flange   | Ductile Iron            | BS EN 1563    |

#### Specifications & Parameters Chart

| DN (mm) | OD (mm) | D (mm) | K (mm) | L (mm) | H (mm) | M1xNo. (mm) | M2xNo. (mm) | Flange Standard |
|---------|---------|--------|--------|--------|--------|-------------|-------------|-----------------|
| 350     | 345/355 | 520    | 470    | 100    | 170    | M16x8       | M16x8       | PN16            |
| 400     | 400     | 580    | 525    | 100    | 170    | M16x8       | M16x8       | PN16            |
| 450     | 450     | 640    | 585    | 100    | 170    | M16x10      | M16x10      | PN16            |
| 500     | 500     | 715    | 650    | 110    | 190    | M16x10      | M16x10      | PN16            |
| 600     | 630     | 840    | 770    | 110    | 190    | M16x10      | M16x10      | PN16            |

Note: Technical data provided in this brochure is indicative only and may be subject to change without prior notice.



**LYE MANUFACTURING SDN.BHD.** (197701001852 (32836-H))

Manufacturer of Valves, Hydrants, Joints, Fittings & Manhole Covers

Lot 1844, Jalan KPB 8, Kampung Baru Balakong, 43300 Kajang, Selangor Darul Ehsan, Malaysia.

FACTORY Tel: 603 - 8961 1623 Fax: 603 - 8961 1092 SALES Tel: 603 - 6140 3131(Hunting Line) Fax: 603 - 6140 5858

EMAIL: enquiry@lye.com.my

