



LYE

RESTRAINT

PUSH-ON JOINT RESTRAINT HARNESS

FOR RESTRAINING OF DI SOCKET PUSH-ON JOINTS



Model : 789

In Brief

- ▶ For Restraining of Ductile Iron Socket Push-on Joints against Longitudinal Socket Joint Separation
- ▶ With Added Security by Friction Clamps with Tie-Rods
- ▶ **Working Pressure** : PN10/PN 16
- ▶ **Coating** : Fusion Bonded Epoxy

Standards

- ▶ **Test** : EN 12266-1
- ▶ **For Ductile Iron Pipe** : BS EN 545 / BS EN 598 / ISO 2531 / MS 1919

Features

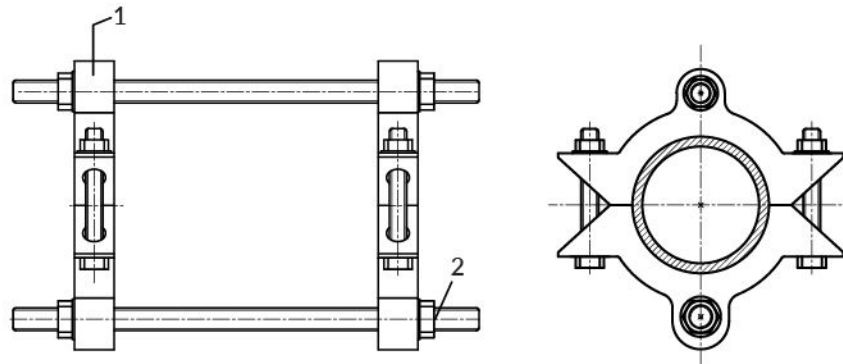
- ▶ **Range of Push-On Joint Restraint Harness Sizes** : DN80 - DN300
- ▶ For System Applications for Unbalanced Forces of Hydrostatic or Hydrodynamic Causing Joint Separation
- ▶ Ideal for Underground & Aboveground Pipeline Installation
- ▶ Commonly Used in By-Pass Pipeline, Difference in Height, Internal Forces Raised by Pressure & Bridge Crossing



LYE MANUFACTURING SDN.BHD. (197701001852 (32836-H))
Manufacturer of Valves, Hydrants, Joints, Fittings & Manhole Covers

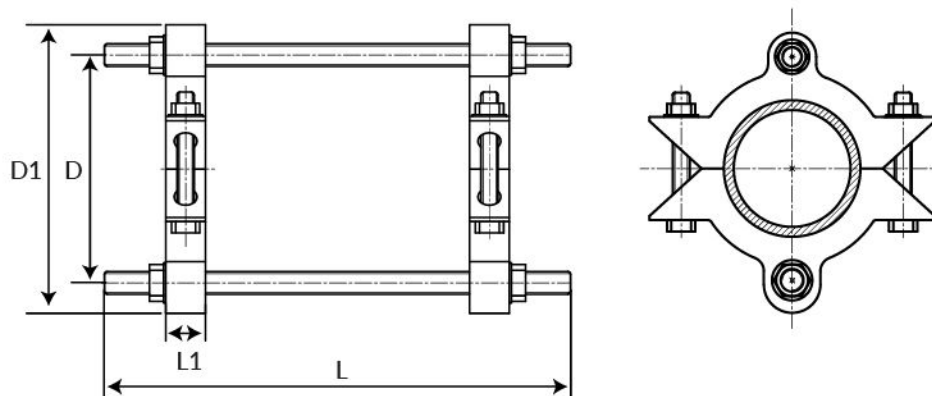
PUSH-ON JOINT RESTRAINT HARNESS FOR RESTRAINING OF DI SOCKET PUSH-ON JOINTS

Technical Table



Assembly Chart

No.	Component	Material	Standard Ref.
1	Restraint Ring	Ductile Iron	BS EN 1563
2	Bolts & Nuts	Hot Dipped Galvanized	BS 4190



Specifications & Parameters Chart

DN (mm)	D (mm)	D1 (mm)	L (mm)	L1 (mm)	Bolts
80	161	204	280	28	M16x2
100	184	227	290	28	M16x2
150	240	291	310	28	M20x2
200	301	352	320	28	M20x2
250	360	412	330	30	M20x4
300	417	469	345	32	M20x4

Joining Assembly



Note: Technical data provided in this brochure is indicative only and may be subject to change without prior notice.