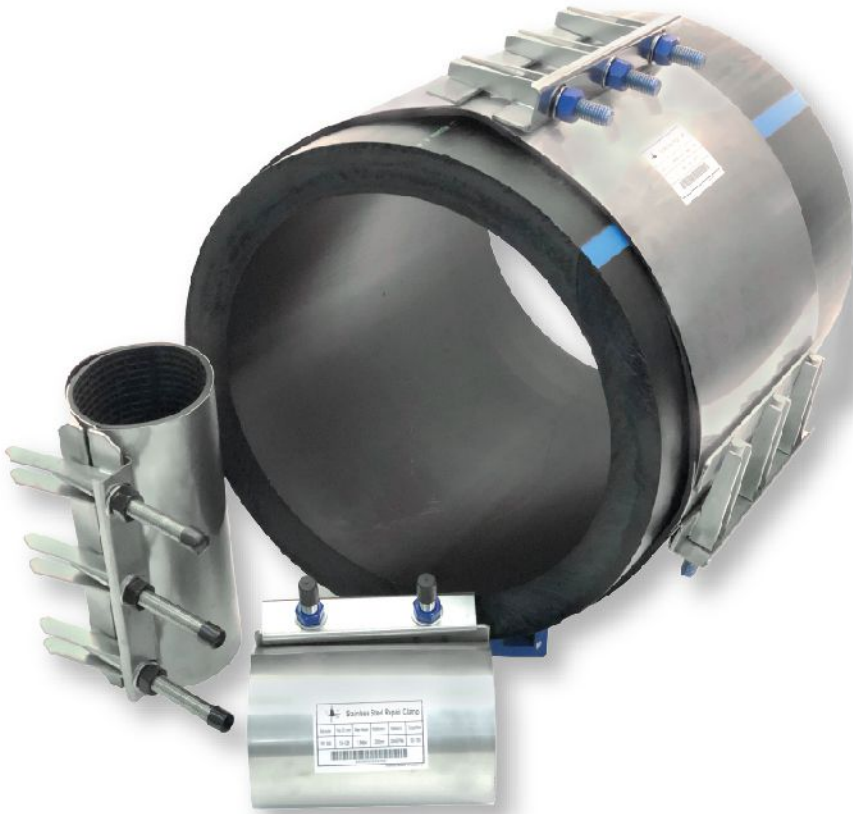


FULL STAINLESS STEEL REPAIR CLAMP

FOR UNDER PRESSURE PIPE REPAIR



In Brief

- ▶ For All Kinds of Pipe Materials (Asbestos Cement (AC), Mild Steel (MS), Ductile Iron (DI), Cast Iron (CI), GRP & Plastic Pipes)
- ▶ Working Pressure PN 10/16
- ▶ Temperature from -10°C to + 70°C
- ▶ Seal : EPDM

Standards

- ▶ Design: EN545
- ▶ Test: EN12266-1

Features

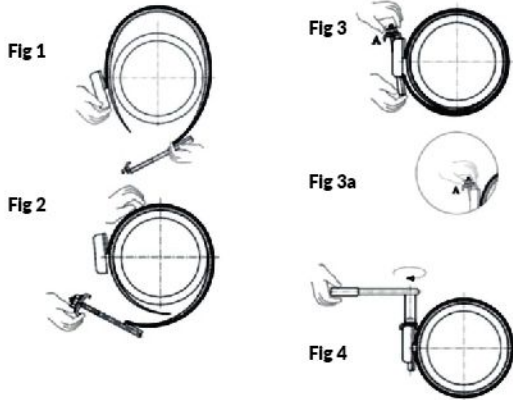
- ▶ Size Range from DN100 - DN350
- ▶ Both Underground and Above Ground Applications
- ▶ Quick and Under Pressure Repairing
- ▶ Suitable for Potable Water and Sewage
- ▶ Repairing Longitudinal Cracks, Holes & Pitting (Pin Holes)
- ▶ Suitable for Plastic Pipes \geq PN10
- ▶ If the Damage is \geq 100mm, It is only Suitable for Emergency Repairs

FULL STAINLESS STEEL REPAIR CLAMP FOR UNDER PRESSURE PIPE REPAIR

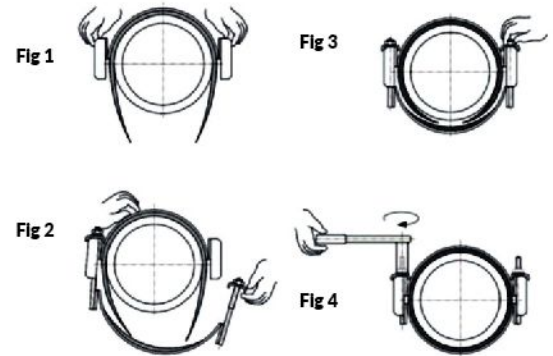
Technical Table

Assembling Process

Single Band

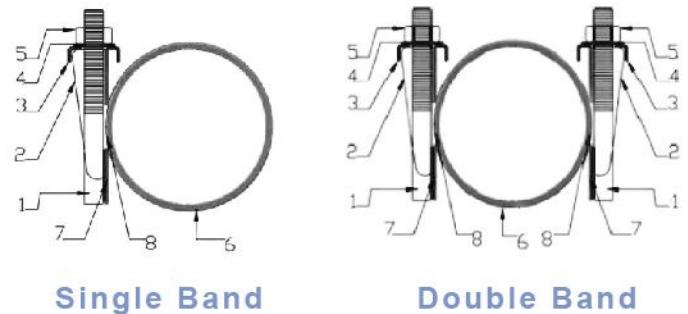


Double Band



Parts List & Materials

No.	Component	Material	Standard Ref.
1	Bolt	Stainless Steel 304	BS EN 10088-3
2	Lug Plate	Stainless Steel 304	BS EN 10088-3
3	Counter Plate	Stainless Steel 304	BS EN 10088-3
4	Washer	Stainless Steel 304	BS EN 10088-3
5	Nut	Stainless Steel 304	BS EN 10088-3
6	Gasket	EPDM	BS EN 681
7	Welding Plate	Stainless Steel 304	BS EN 10088-3
8	Band	Stainless Steel 304	BS EN 10088-3



Specifications & Parameters Chart

Size	Working Range (mm)		Length (mm)	Band	No. of Bolts	Dia. of Bolts x Length (mm)	Working Pressure (PN)
DN100	108	118	200	Single	2	M16x180	16
	108	128	200	Single	2	M16x180	16
	108	118	300	Single	3	M16x180	16
	115	128	200	Single	2	M16x180	16
DN150	158	172	200	Single	2	M16x180	16
	158	172	300	Single	3	M16x180	16
	160	170	200	Single	2	M16x180	16
	168	182	300	Single	3	M16x180	16
DN200	186	196	200	Single	2	M16x180	16
	186	202	300	Single	3	M16x180	16
	220	240	200	Single	2	M16x180	16
	219	229	200	Single	2	M16x180	16
	225	240	300	Single	3	M16x180	16
DN250	243	260	300	Single	3	M16x180	16
	253	263	300	Single	3	M16x180	16
	270	288	200	Single	2	M16x180	16
	270	288	300	Single	3	M16x180	16
	270	288	400	Single	4	M16x180	16
DN300	315	325	400	Single	4	M16x180	10
	313	336	300	Single	3	M16x180	10
DN350	340	360	300	Double	6	M16x180	10

Note: Technical data provided in this brochure is indicative only and may be subject to change without prior notice.



LYE MANUFACTURING SDN.BHD. (197701001852 (32836-H))

Manufacturer of Valves, Hydrants, Joints, Fittings & Manhole Covers

Lot 1844, Jalan KPB 8, Kampung Baru Balakong, 43300 Kajang, Selangor Darul Ehsan, Malaysia.

FACTORY Tel: 603 - 8961 1623 Fax: 603 - 8961 1092 SALES Tel: 603 - 6140 3131(Hunting Line) Fax: 603 - 6140 5858

EMAIL: enquiry@lye.com.my

