

# T- POT STRAINER

## FOR SYSTEM PROTECTION & HIGHER WORK-OPTIMIZATION EFFICIENCY



### In Brief

- ▶ Designed for Optimizing the Maintenance & Operational Efficiency of Water Metering & Industry System Servicing
- ▶ For System Protection & Metering Inaccuracies Prevention from Any Potential Damage Caused by Solid Materials & Debris
- ▶ Suitable for Water & Oil
- ▶ **Maximum Temperature** : < 100°C
- ▶ **Working Pressure** : 16 Bar
- ▶ **Shell Test Pressure** : 24 Bar
- ▶ **Coating** : Fusion Bonded Epoxy
- ▶ **Sealing** : EPDM

### Standards

- ▶ **Design** : JKR 20200-0100-01
- ▶ **Flange** : EN 1092-2

### Features

- ▶ **Range of Strainer Sizes** : DN80 To DN900
- ▶ Allowing Installation of Air Release Valve for Air Bubbles Releasing
- ▶ Advanced New Design of Perforated Stainless Steel Screen for Minimum Cleaning
- ▶ Special Reinforced Stainless Steel Bar Ribs Enhance Screen Rigidity from Premature Damage
- ▶ Any Dirt or Debris Accumulated Can Be Flushed Out Through the Drain Plug

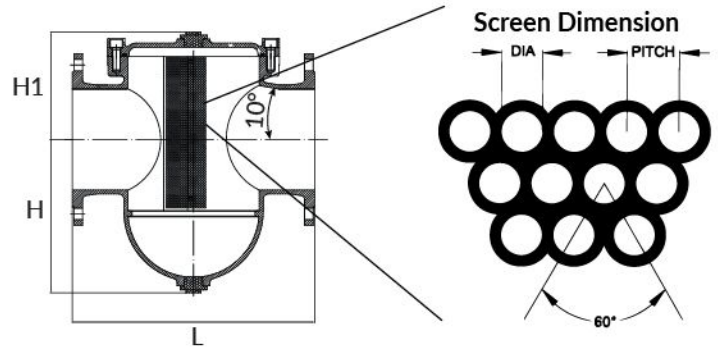
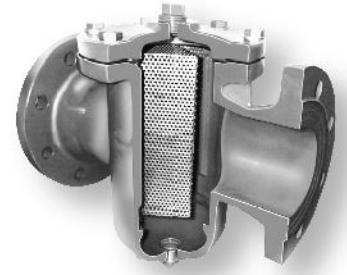
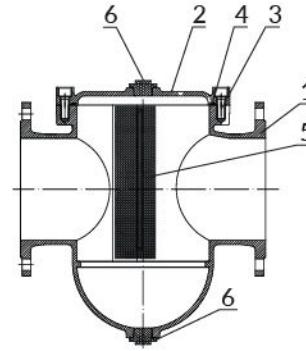
# T- POT STRAINER

FOR SYSTEM PROTECTION & HIGHER WORK-OPTIMIZATION EFFICIENCY

## Technical Table



**BULK METER  
POSITION SYSTEMS**



### Parts List & Materials

No.	Component	Material	Standard Ref.
1	Body	Ductile Iron	BS EN 1563
2	Cover	Ductile Iron	BS EN 1563
3	Bolt	Stainless Steel	BS EN 10088-3
4	Gasket	Rubber	BS EN 681
5	Screen	Stainless Steel	BS EN 10088-3
6	Drain Plug	Stainless Steel	BS EN 10088-3

### Specifications & Parameters Chart

DN (mm)	L (mm)	H (mm)	H1 (mm)	DIA (mm)	PITCH (mm)	Screen Thickness (mm)
80	300	150	125	3.0	5.0	1.0
100	340	170	138	3.0	5.0	1.0
150	420	220	170	3.0	5.0	1.0
200	480	290	200	3.0	5.0	1.0
250	586	332	245	5.0	8.0	1.0
300	658	375	275	5.0	8.0	1.0
350	698	430	350	5.0	8.0	1.0
400	768	480	380	5.0	8.0	1.0
450	838	525	410	5.0	8.0	1.0
500	908	565	480	5.0	8.0	1.0
600	1070	700	550	5.0	8.0	1.0
700	1240	750	590	5.0	8.0	1.0
800	1380	900	660	5.0	8.0	1.0
900	1520	960	760	5.0	8.0	1.0

Note: Technical data provided in this brochure is indicative only and may be subject to change without prior notice.



**LYE MANUFACTURING SDN.BHD.** (197701001852 (32836-H))

Manufacturer of Valves, Hydrants, Joints, Fittings & Manhole Covers

Lot 1844, Jalan KP8 8, Kampung Baru Balakong, 43300 Kajang, Selangor Darul Ehsan, Malaysia.

FACTORY Tel: 603 - 8961 1623 Fax: 603 - 8961 1092 SALES Tel: 603 - 6140 3131(Hunting Line) Fax: 603 - 6140 5858

EMAIL: enquiry@lye.com.my

