

Y-STRAINER

FOR PIPELINE SYSTEM, EQUIPMENT & FACILITY PROTECTION



LYE

Model No. : LYE 881

In Brief

- ▶ Design to Screen Out Solid Materials & Debris in the Pipeline Systems & Facilities
- ▶ For Improving the Reticulation for Bulk Meter System & Protecting the Important Equipment
- ▶ Suitable for Water & Oil
- ▶ **Maximum Temperature** : < 100°C
- ▶ **Working Pressure** : 16 Bar
- ▶ **Shell Test Pressure** : 24 Bar
- ▶ **Coating** : Fusion Bonded Epoxy
- ▶ **Sealing** : EPDM

Standards

- ▶ **Flange** : EN 1092-2

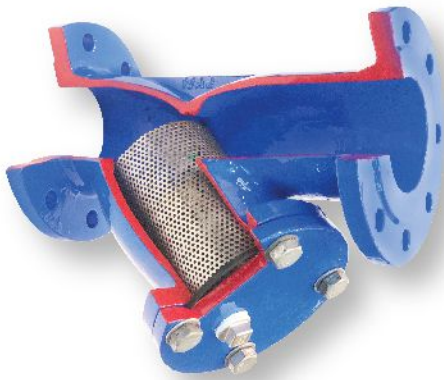
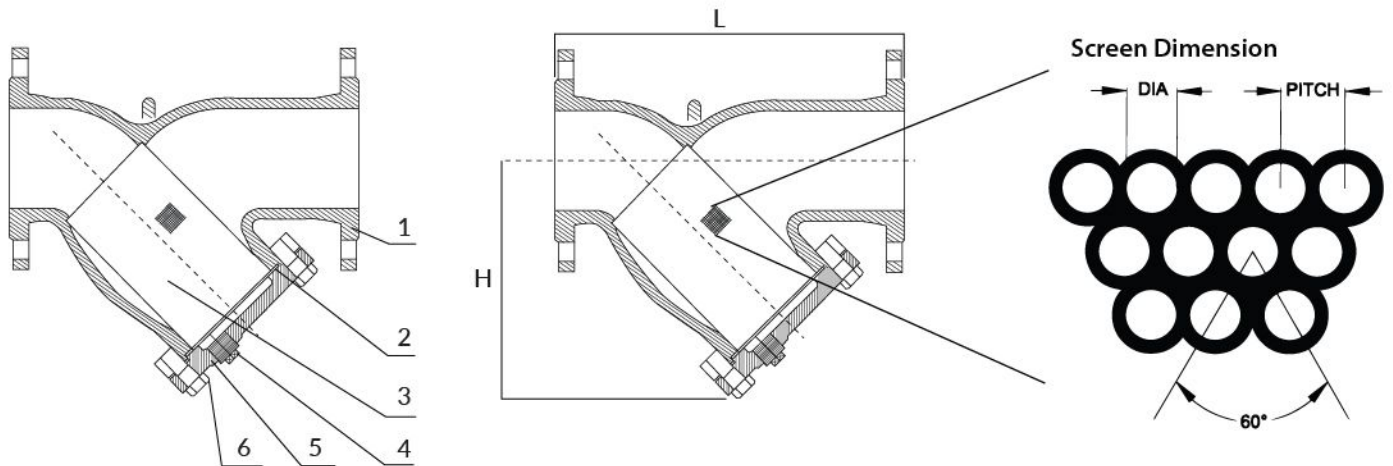
Features

- ▶ **Range of Strainer Sizes** : DN50 To DN350
- ▶ Advanced New Design of Perforated Stainless Steel Screen for Minimum Cleaning
- ▶ Any Dirt or Debris Accumulated Can Be Flushed Out Through the Drain Plug
- ▶ Suitable for Both Horizontal or Vertical Pipeline Installation

Y-STRAINER

FOR PIPELINE SYSTEM, EQUIPMENT & FACILITY PROTECTION

Technical Table



Parts List & Materials

No.	Component	Material	Standard Ref.
1	Body	Ductile Iron	BS EN 1563
2	Gasket	EPDM	BS EN 681
3	Screen	Stainless Steel	BS EN 10088-3
4	Drain Plug	Stainless Steel	BS EN 10088-3
5	Cover	Ductile Iron	BS EN 1563
6	Bolt	Stainless Steel	BS EN 10088-3

Specifications & Parameters Chart

DN (mm)	L (mm)	H (mm)	DIA (mm)	PITCH (mm)	Screen Thickness (mm)
50	230	140	1.5	2.5	0.5
65	290	175	3.0	5.0	0.5
80	310	198	3.0	5.0	0.5
100	355	210	3.0	5.0	0.5
125	400	287	3.0	5.0	0.5
150	450	300	5.0	7.0	1.0
200	600	370	5.0	7.0	1.0
250	730	469	5.0	7.0	1.0
300	850	540	5.0	7.0	1.0
350	838	625	5.0	7.0	1.2

Note: Technical data provided in this brochure is indicative only and may be subject to change without prior notice.