



LYE



AIR VALVES

SINGLE SMALL ORIFICE AUTOMATIC AIR RELIEF VALVE DESIGNED FOR AIR VENTING & DISCHARGE

In Brief

- ▶ Ideal for Both Air Release Function under Pipeline Pressurised Operation & also Capable of Fulfilling the Venting Requirement of the Pipeline
- ▶ Designed to be Completely Automatic in Operation with Lever Operated Ball Float
- ▶ **Working Pressure** : 10/16 Bar
- ▶ **Shell Test Pressure** : 15/24 Bar
- ▶ **Seat Test Pressure** : 11/17.6 Bar
- ▶ **Minimum Operation Pressure** : 0.5 Bar
- ▶ **Coating** : Fusion Bonded Epoxy
- ▶ **Sealing** : EPDM

Standards

- ▶ **Design** : BS EN 1074-4
- ▶ **Test** : EN 12266-1
- ▶ **Thread** : BSP/NPT

Features

- ▶ **Range of Valves Sizes** : DN25
- ▶ **Float Material** : ABS or Stainless Steel
- ▶ **Option** : Complete with Gate Valve, Male Thread
- ▶ *Unique Design Prevents Premature Float Switching & Minimises Float Movement*



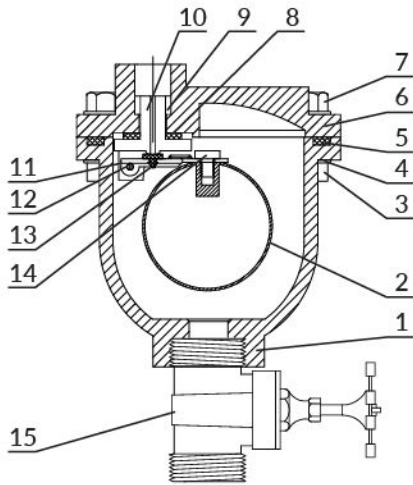
LYE MANUFACTURING SDN.BHD. (197701001852 (32836-H))
Manufacturer of Valves, Hydrants, Joints, Fittings & Manhole Covers

SINGLE SMALL ORIFICE AUTOMATIC AIR RELIEF VALVE

DESIGNED FOR AIR VENTING & DISCHARGE

Technical Table

Parts List & Materials

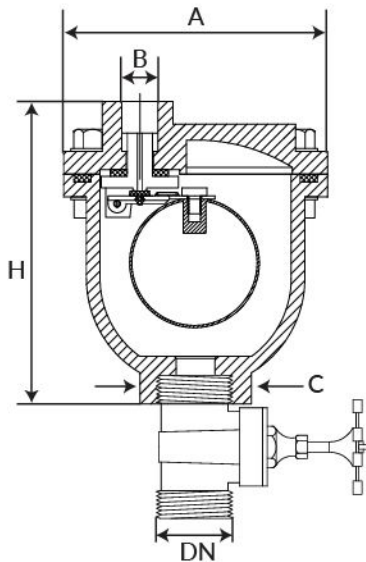


No.	Component	Material	Standard Ref.
1	Body	Ductile Iron	BS EN 1563
2	*Float	ABS / Stainless Steel	ISO 7245 / EN 10088-3
3	Nut	Galvanized Carbon Steel	BS 4190
4	Washer	Galvanized Carbon Steel	BS 4190
5	O-ring	EPDM	EN 681
6	Cover	Ductile Iron	BS EN 1563
7	Hexagon Bolt	Galvanized Carbon Steel	BS 4190
8	Gasket	EPDM	EN 681
9	Round Nut With Slot	Stainless Steel	DIN 546
10	Bracket	Brass	BS EN 12163
11	Lever	Stainless Steel	EN 10088-3
12	Hinge Pin	Stainless Steel	EN ISO 1234
13	Seat	EPDM	EN 681-1
14	Hexagon Bolt	Stainless Steel	EN ISO 4017
15	Gate Valve	Brass	BS 5154

*Options for the Float Type

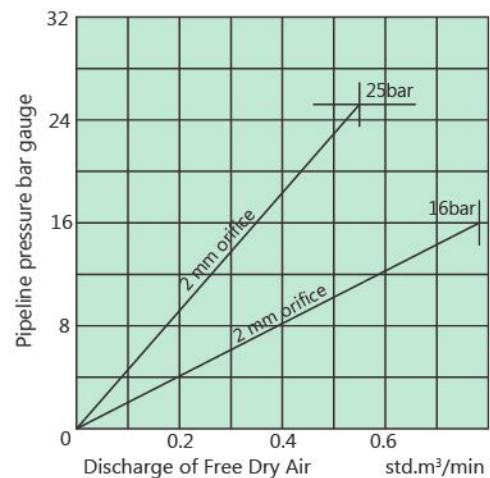
Specifications & Parameters Chart

DN (mm)	NPS	A (mm)	B	C (mm)	H (mm)
25	1"	115	1/2"	54	137



Air Flow Performance Charts

Air Release (Pressurised Operation)



Note: Technical data provided in this brochure is indicative only and may be subject to change without prior notice.