



LYE

FLEXIBLE

STEPPED COUPLING (PA)

FOR PVC-O/PVC-M/*PE
TO AC/MS(JKR) PIPES



In Brief

- ▶ Stepped Couplings for Joining Plain Ended Pipes
- ▶ Flexible Jointing Solution for Quick & Easy Installation
- ▶ Suitable for Potable Water, Neutral Liquids & Sewage
- ▶ **Working Pressure** : PN16
- ▶ **Coating** : Fusion Bonded Epoxy
- ▶ **Sealing** : EPDM

Standards

- ▶ **Test** : EN 12266-1
- ▶ **For PVC-O Pipe** : ISO 16422
- ▶ **For PVC-M Pipe (≥ DN150)** : AS/NZS 4765, S1
- ▶ **For PE Pipe** : EN 12201 / MS 1058 / AS 1159
- ▶ **For AC Pipe** : AS 1711 / BS 1211 / MS 712 (CD) / BS 486 1981 CLASS 20
- ▶ **For MS Pipe** : JKR STANDARD

Features

- ▶ **Range of Coupling Sizes** : DN100 to DN300
- ▶ Pipe Materials with Different Outer Diameter(OD)
- ▶ For System Transition on Connecting Different Pipe Materials
- ▶ Wedge Gasket Type Allow OD Tolerance (+1-3mm) for Water Sealing

Note: *Good Installation Practice May be Required for PE Pipe Installation

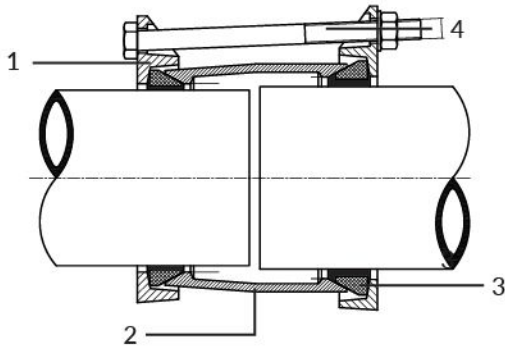


LYE MANUFACTURING SDN.BHD. (197701001852 (32836-H))
Manufacturer of Valves, Hydrants, Joints, Fittings & Manhole Covers

STEPPED COUPLING (PA) FOR PVC-O/PVC-M/*PE TO AC/MS(JKR) PIPES

Technical Table

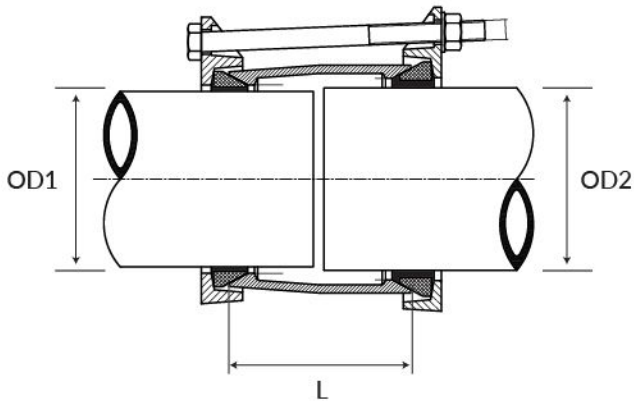
Assembly Chart



No.	Component	Material	Standard Ref.
1	Gland Flange	Ductile Iron	BS EN 1563
2	Sleeve/Collar	Ductile Iron	BS EN 1563
3	Gasket	EPDM	BS EN 681
4	Bolt & Nut	Hot Dipped Galvanized	BS EN 4190

Specifications & Parameters Chart

DN (mm)	OD1 (mm)	OD2 (mm)	L (mm)	Bolts
100	110	121.9	110	M12x4
100	125	121.9	110	M12x4
150	160	177.3	130	M12x4
150	180	177.3	130	M12x4
200	200	244.5	150	M12x4
200	225	244.5	150	M12x4
250	250	286.0	165	M12x6
250	280	286.0	165	M12x6
300	315	345.5	170	M16x8



Good Installation Practice may be Required for PE Pipe Jointing, Contact LYE for Further Advice

Note: Technical data provided in this brochure is indicative only and may be subject to change without prior notice.