



BUTTERFLY VALVES

# ISOLATING VALVES CONCENTRIC FLANGED BUTTERFLY VALVE

LEVER OPERATED TYPE  
MANUAL ACTUATION



## In Brief

- ▶ Quarter-Turn Isolating Valve with Full Rubber Covered Body for System Operations & Maintenance
- ▶ Concentric Disc Designed for Dual Flow Operations
- ▶ **Working Pressure** : 10/16 bar
- ▶ **Body Test Pressure** : 15/24 bar
- ▶ **Seat Test Pressure** : 11/17.6 bar
- ▶ **Coating** : Fusion Bonded Epoxy
- ▶ **Sealing** : EPDM

## Standards

- ▶ **Design** : BS EN 593
- ▶ **Flange** : BS EN 1092-2
- ▶ **Top Flange** : ISO 5211

## Features

- ▶ **Range of Valve Sizes** : DN50 to DN300
- ▶ **Standard Valve Actuator** : Lever Type  
( Optional : Worm Gear & Handwheel )
- ▶ Standard ISO Top-Flanged for Actuation
- ▶ Easy Installation with Highly Reliable Jointing Efficiency



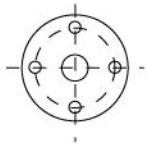
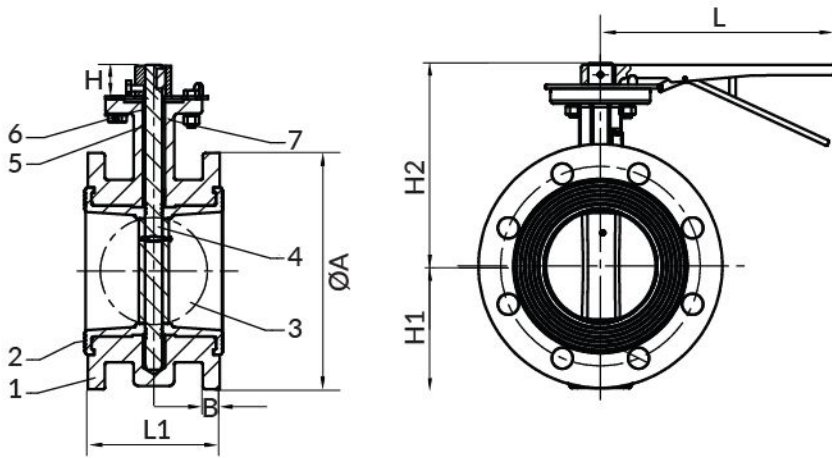
**LYE MANUFACTURING SDN.BHD.** (197701001852 (32836-H))  
Manufacturer of Valves, Hydrants, Joints, Fittings & Manhole Covers

# ISOLATING VALVES

## CONCENTRIC FLANGED BUTTERFLY VALVE

### LEVER OPERATED TYPE MANUAL ACTUATION

#### Technical Table



ISO 5211 Flange



Complete With Electric Actuator

#### Parts List & Materials

No.	Component	Material	Standard Ref.
1	Body	Ductile Iron	BS EN 1563
2	Seat	EPDM	BS EN 681
3	Disc	Ductile Iron	BS EN 1563
4	Stem	Stainless Steel	BS EN 10088-3
5	O-Ring	EPDM	BS EN 681
6	Bush	Nylon	ISO 1874
7	Lever	Ductile Iron	BS EN 1563

#### Specifications & Parameters Chart

DN (mm)	L1 (mm)	H1 (mm)	H2 (mm)	H (mm)	ØA (mm)	Bolts	L (mm)	Mounting Flange
50	108	80	110	32	165	M19x4	267	F05/F07
80	114	95	134	32	200	M19x8	267	F05/F07
100	127	113	150	32	220	M19x8	267	F07
125	140	114	170	32	250	M19x8	267	F07
150	140	139	180	32	285	M23x8	267	F07
200	152	175	210	45	340	M23x12	356	F10
250	165	203	245	45	400	M28x12	356	F10
300	178	242	276	45	455	M28x12	490	F10

Note: Technical data provided in this brochure is indicative only and may be subject to change without prior notice.