

DOUBLE ORIFICE STANDARD & DOUBLE ORIFICE KINETIC COMBINATION AIR VALVES

In Brief

- ▶ **Small Orifice** : Automatic Air Release Small Pockets of Accumulated Air from Pipeline Operate under Pressure
- ▶ **Large (Main) Orifice** : For Large Volume of Air Discharging during Pipeline Filling while Pressurizing & Air Admittance during Pipeline Draining while Depressurizing for Vacuum Prevention
- ▶ **Working Pressure** : 10/16 Bar
- ▶ **Shell Test Pressure** : 15/24 Bar
- ▶ **Seat Test Pressure** : 11/17.6 Bar
- ▶ **Minimum Operation Pressure** : 0.5 Bar
- ▶ **Coating** : Fusion Bonded Epoxy
- ▶ **Sealing** : EPDM

Standards

- ▶ **Design** : JKR 20200 - 0097 - 01
- ▶ **Test** : EN 12266-1
- ▶ **Flange** : EN 1092-2

Features

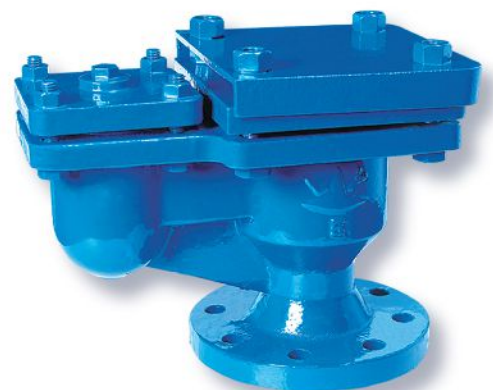
- ▶ **Range of Valve Sizes** : DN50 to DN200
- ▶ **Float Material for Both Orifices** : ABS
- ▶ **Unique Design Prevents Premature Seating of Float**
- ▶ **Double Orifice Standard with Complete Integral Isolating Valve for Easy Valve Maintenance**

Double Orifice Standard



Model No. :
LYE 455
LYE 455A (come with Isolating Sluice Valve)

Double Orifice Kinetic

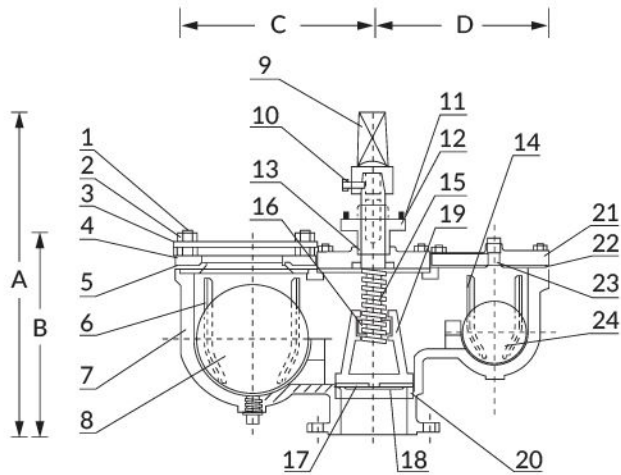


Model No. :
LYE 354 (Non-Isolating Type)
LYE 355 (c/w Isolating Sluice Valve)

DOUBLE ORIFICE STANDARD & DOUBLE ORIFICE KINETIC COMBINATION AIR VALVES

Technical Table

DOUBLE ORIFICE STANDARD



Parts List & Materials

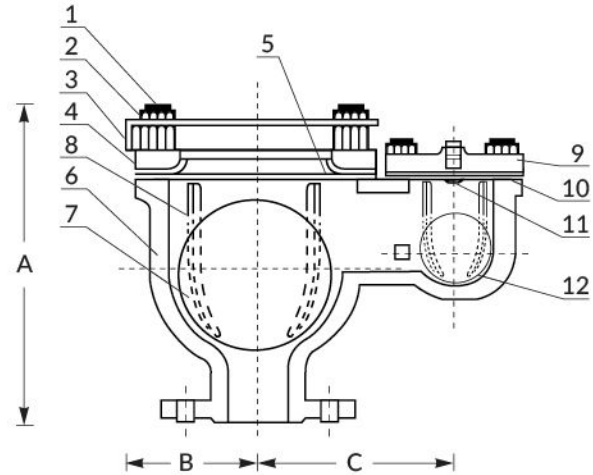
No.	Component	Material	Standard Ref.
1	Bolt & Nut	Hot Dipped Galvanized	BS EN 4190
2	Nut	Hot Dipped Galvanized	BS EN 4190
3	Large Orifice Cover	Ductile Iron	BS EN 1563
4	Large Orifice Plate	Ductile Iron	BS EN 1563
5	Gasket	EPDM	BS EN 681
6	Ball Guide	Ductile Iron	BS EN 1563
7	Body	Ductile Iron	BS EN 1563
8	Large Orifice Float(Ball)	ABS	ISO 2580
9	Spindle Cap	Ductile Iron	BS EN 1563
10	Cap Set Screw	Stainless Steel	BS EN 10088-3
11	Gland Bolt	Hot Dipped Galvanized	BS EN 4190
12	Gland	Ductile Iron	BS EN 1563
13	O'Ring	EPDM	BS EN 681
14	Ball Guide	Ductile Iron	BS EN 1563
15	Spindle	Stainless Steel	BS EN 10088-3
16	Spindle Nut	Gunmetal	BS EN 1962
17	Seal	EPDM	BS EN 681
18	Seal Nut	Stainless Steel	BS EN 10088-3
19	Valve Stopper	Ductile Iron	BS EN 1563
20	Valve Seat Ring	Ductile Iron	BS EN 1563
21	Small Orifice Plate	Ductile Iron	BS EN 1563
22	Gasket	EPDM	BS EN 681
23	Air Release Nipple	Brass	BS EN 12163
24	Small Orifice Float(Ball)	ABS	ISO 2580

Specifications & Parameters Chart

DN (mm)	A (mm)	B (mm)	C (mm)	D (mm)	Width (mm)
50	415	240	245	245	200
80	425	240	245	245	200
100	480	325	285	245	245
150	515	415	370	286	250
200	615	475	475	315	310

Note: Technical data provided in this brochure is indicative only and may be subject to change without prior notice.

DOUBLE ORIFICE KINETIC



Parts List & Materials

No.	Component	Material	Standard Ref.
1	Bolt	Hot Dipped Galvanized	BS EN 4190
2	Nut	Hot Dipped Galvanized	BS EN 4190
3	Large Orifice Cover	Ductile Iron	BS EN 1563
4	Large Orifice Plate	Ductile Iron	BS EN 1563
5	Gasket	EPDM	BS EN 681
6	Body	Ductile Iron	BS EN 1563
7	Large Orifice Float Ball	ABS	ISO 2580
8	Ball Guide	Ductile Iron	BS EN 1563
9	Small Orifice Plate	Ductile Iron	BS EN 1563
10	Gasket	EPDM	BS EN 681
11	Air Release Nipple	Brass	BS EN 12163
12	Small Orifice Float (Ball)	ABS	ISO 2580

Specifications & Parameters Chart

DN (mm)	A (mm)	B (mm)	C (mm)	Width (mm)
50	275	90	220	170
80	275	110	235	190
100	310	110	260	230
150	400	135	295	280
200	540	165	375	450